

Man Safe 1418 Configuration #1

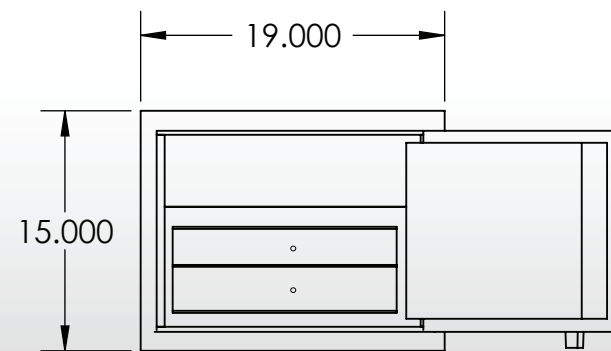
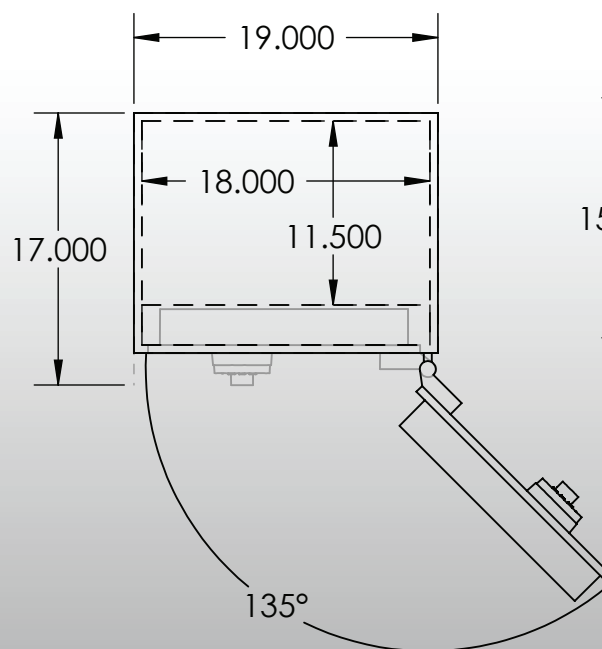
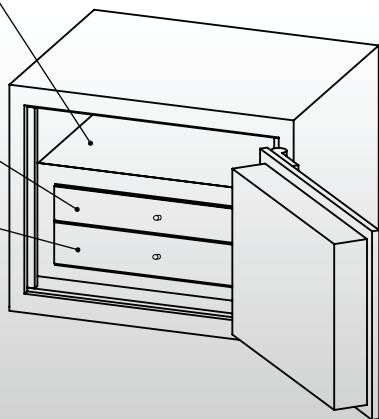
Features & Specifications:

Interior Dimensions	14"H x 18"W x 11.5"D
Exterior Dimensions	15"H x 19"W x 17"D*
Inside Drawer Dimensions.....	12 ¾"W x 9"D
Capacity in Cubic Ft.	2
Weight	200 LBS
Watch Winders	None
Drawer Configuration	One 1.5" Drawer
.....	One 2" Drawer
Open Space	5 inches

5" Open Space

One 1.5" Drawer

One 2" Drawer



* Please add 1" to all exterior dimensions to allow for installation.

** Standard 120 volt outlet required for operation. Two cords exit at lower back of safe on hinge side to provide power to interior light and watch winders.