

# Man Safe 1418 Configuration #2

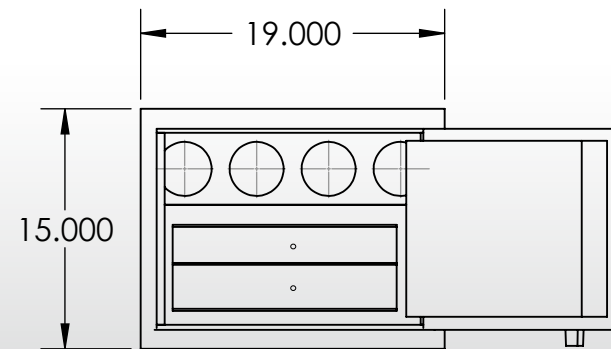
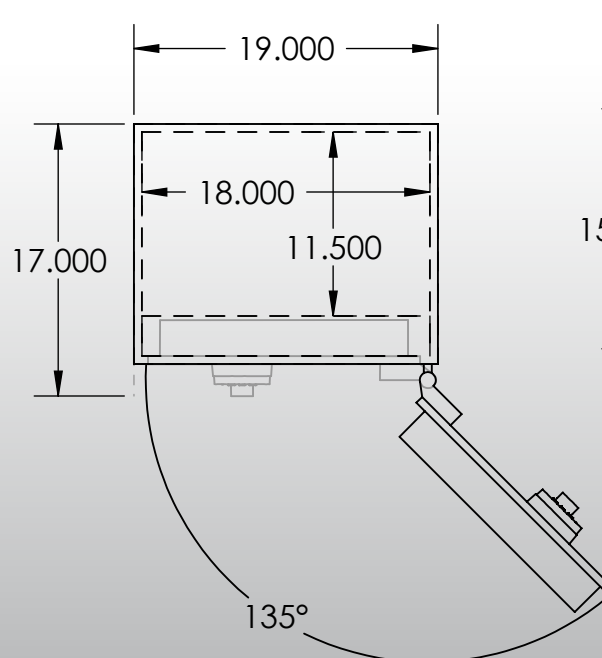
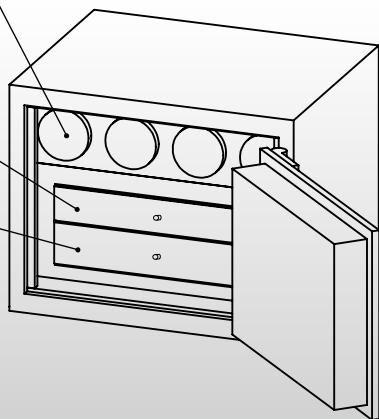
## Features & Specifications:

Interior Dimensions .....	14"H x 18"W x 11.5"D
Exterior Dimensions .....	15"H x 19"W x 17"D*
Inside Drawer Dimensions .....	12 3/4"W x 9"D
Capacity in Cubic Ft. ....	2
Weight .....	200 LBS
Watch Winders .....	Four
Drawer Configuration .....	One 1.5" Drawer
.....	One 2" Drawer
Open Space .....	None

4 watch winders

One 1.5" Drawer

One 2" Drawer



\* Please add 1" to all exterior dimensions to allow for installation.

\*\* Standard 120 volt outlet required for operation. Two cords exit at lower back of safe on hinge side to provide power to interior light and watch winders.