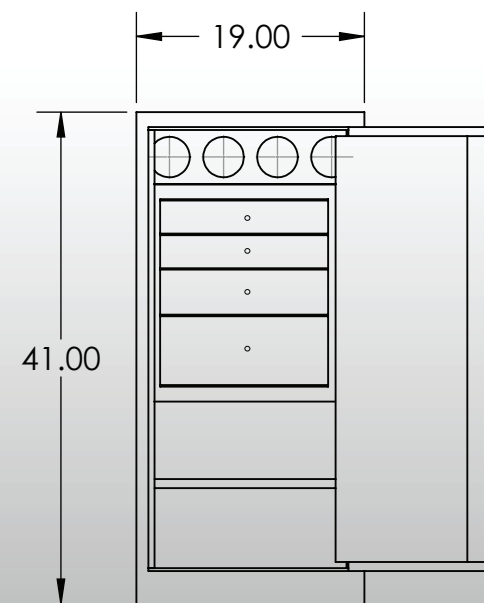
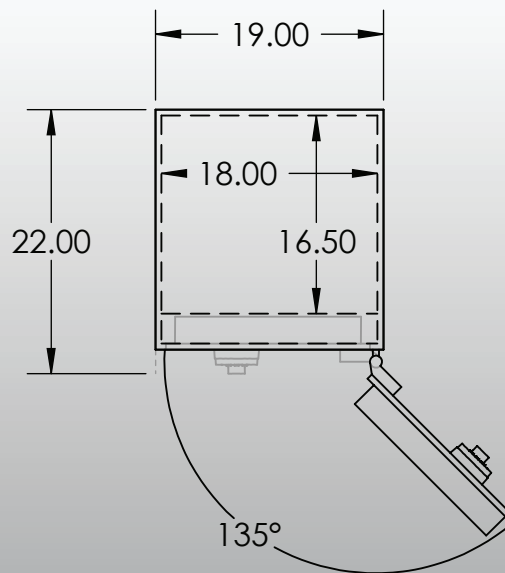
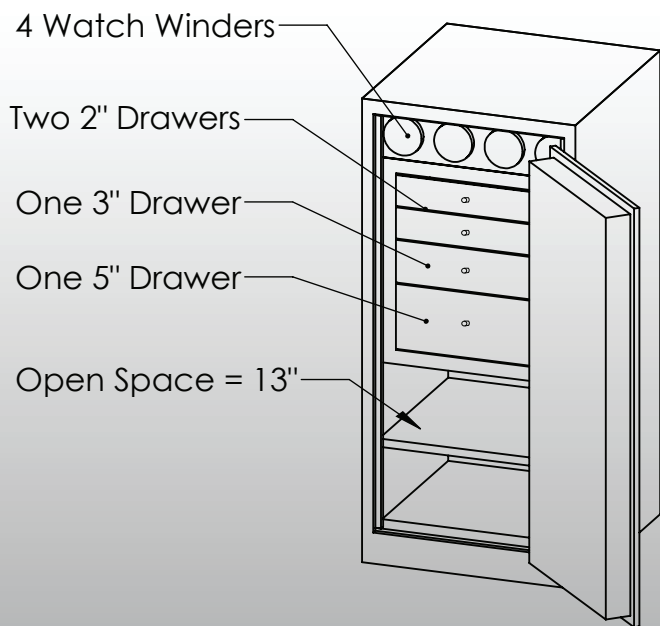


Man Safe 4018 Elite Configuration #1

Features & Specifications:

Interior Dimensions	40"H x 18"W x 16.5"D
Exterior Dimensions	41"H x 19"W x 22"D
Interior Drawer Dimensions	12 ¾"W x 13"D
Capacity in Cubic Ft.	7
Weight	450 LBS
Watch Winders	Four
Drawer Configuration	Two 2" Drawers
.....	One 3" Drawer
.....	One 5" Drawer
Open Space	13 inches with one adjustable shelf



* Please add 1" to all exterior dimensions to allow for installation.

** Standard 120 volt outlet required for operation. Two cords exit at lower back of safe on hinge side to provide power to interior light and watch winders.