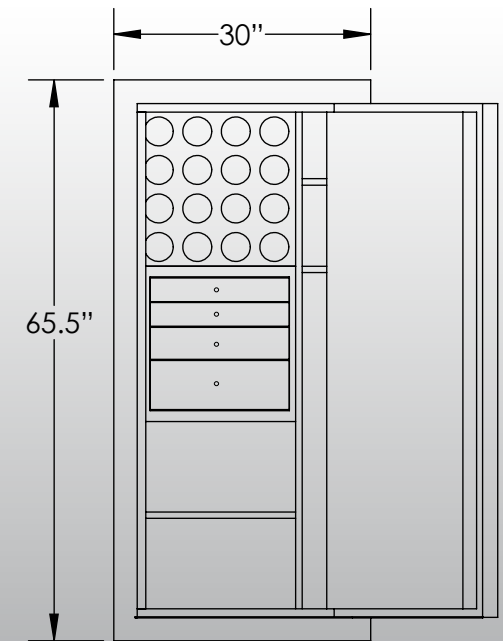
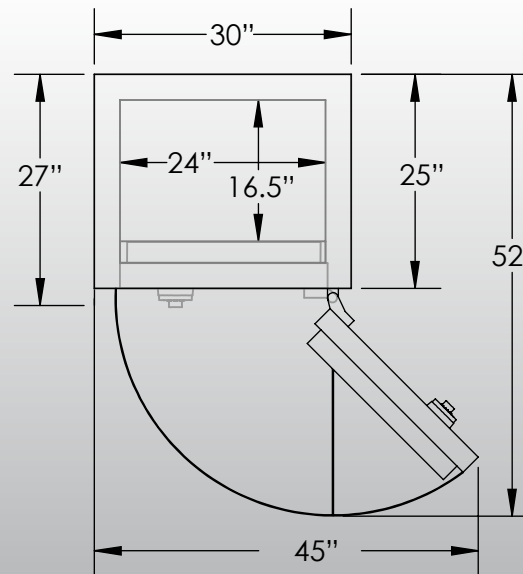
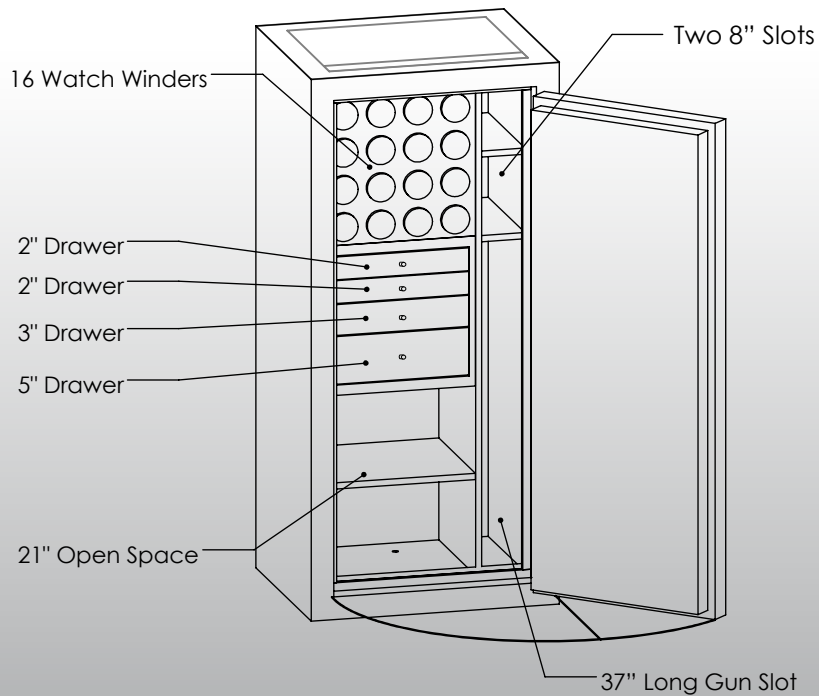


Man Safe 6024 COM Elite Configuration #1

Features & Specifications:

| | |
|----------------------------------|----------------------|
| Interior Dimensions | 60"H x 24"W x 16.5"D |
| Exterior Dimensions | 65.5"H x 30"W x 27"D |
| Interior Drawer Dimensions | 12 3/4"W x 13"D |
| Capacity in Cubic Ft. | 13.75 |
| Weight | 2,275 LBS |
| Watch Winders | Sixteen |
| Drawer Configuration | Two 2" Drawers |
| | One 3" Drawer |
| | One 5" Drawer |
| Open Space | 9" Under Drawers |
| | 37" Long Gun Slot |
| | Two 8" Slots |



* Please add 1" to all exterior dimensions to allow for installation.

** Standard 120 volt outlet required for operation. Two cords exit at lower back of safe on hinge side to provide power to interior light and watch winders.